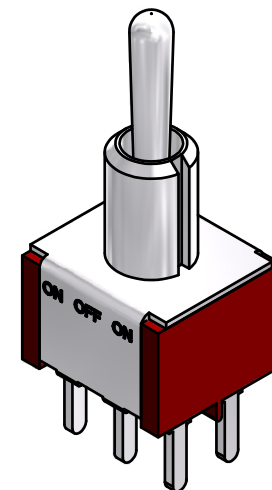
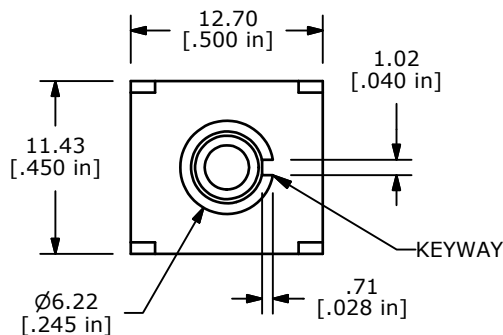
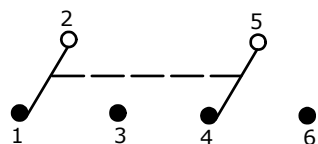


PC MOUNTING

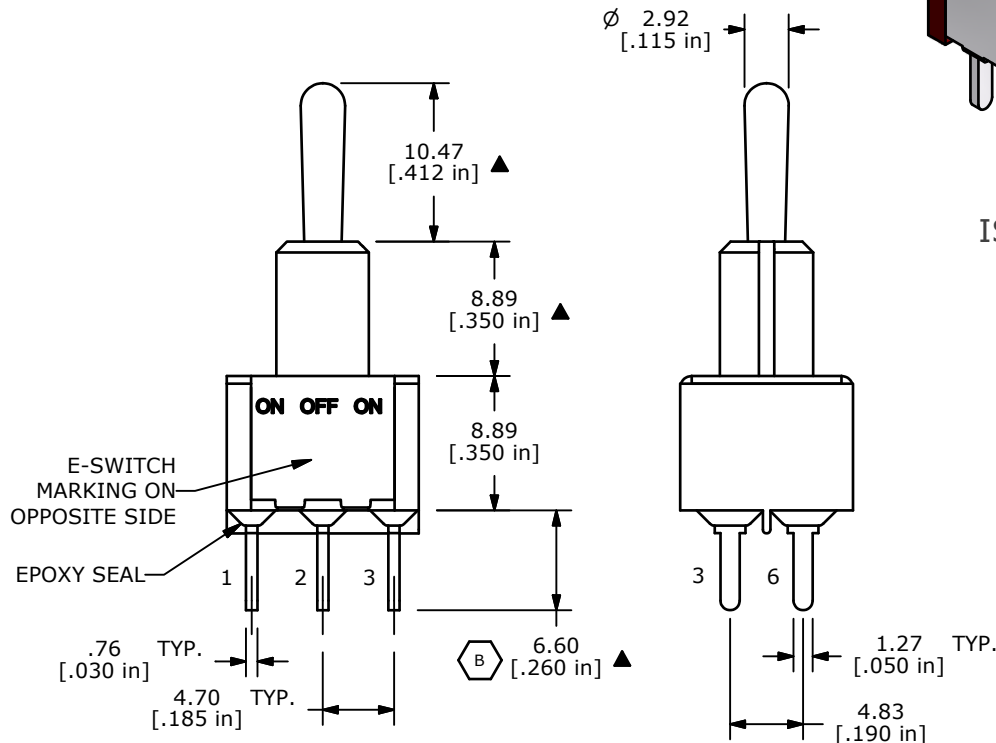


ISOMETRIC

| SWITCH FUNCTION | | |
|-----------------|--------|----------|
| POS. 1 | POS. 2 | POS. 3 |
| | | |
| ON | OFF | ON |
| 2-3, 5-6 | OPEN | 2-1, 5-4 |



CIRCUIT: DPDT



NOTE:

1. ALL DIMENSIONS IN MM [INCH]
2. GENERAL TOLERANCE: X.X=±0.4
X.XX=±0.25
3. TERMINAL NUMBERS FOR REF ONLY
- ▲ 4. PLATING MATERIAL: SILVER
5. RATING: 5AMPS W/RESISTIVE LOAD @ 120VAC OR 28VDC
2 AMPS W/ RESISTIVE LOAD @ 250VAC
6. ELECTRIC LIFE: 40,000 make-and-break cycles at full load.
7. INSULATION RESISTANCE: 1,000 Mega-ohm min.
8. DIELECTRIC STRENGTH: 1,000 V RMS @sea level.
9. OPERATING TEMP.: -30°C to 85°C
10. ▲ DENOTES CRITICAL PARAMETER.



| | | | | |
|-----|--------|-------------------------|----------|----|
| B | 21654 | CORRECTED DIMENSION | 10/22/14 | AS |
| A | 14078 | RELEASED FOR PRODUCTION | 6/9/04 | AS |
| REV | PCR NO | DESCRIPTION | DATE | BY |

| | | | | |
|----------------------|---------------|-------|-------------|-------|
| TITLE 100DP3T1B2M2QE | | | | |
| SCALE 2:1 | DATE 6/9/2004 | DR AS | DWG T123006 | REV B |

THE INFORMATION CONTAINED IN THIS DOCUMENT IS PROPRIETARY TO E-SWITCH AND IS NOT TO BE COPIED OR TRANSFERRED