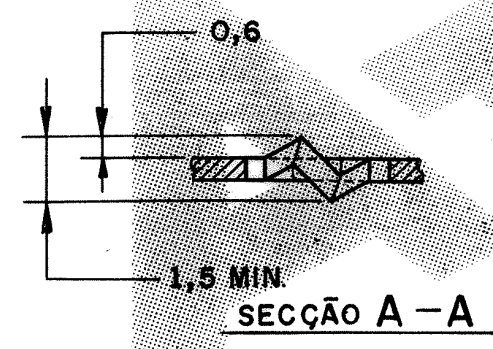
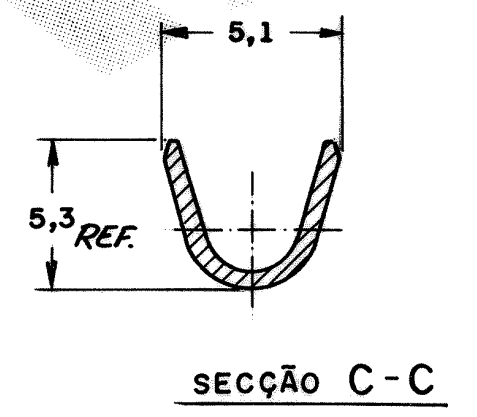
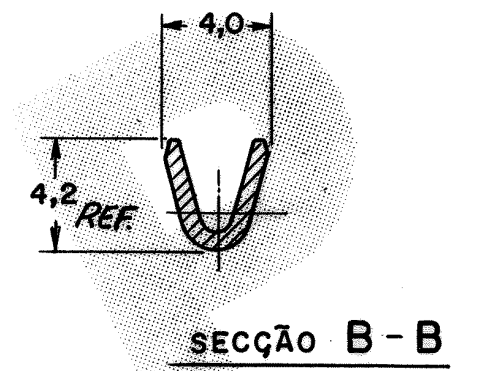
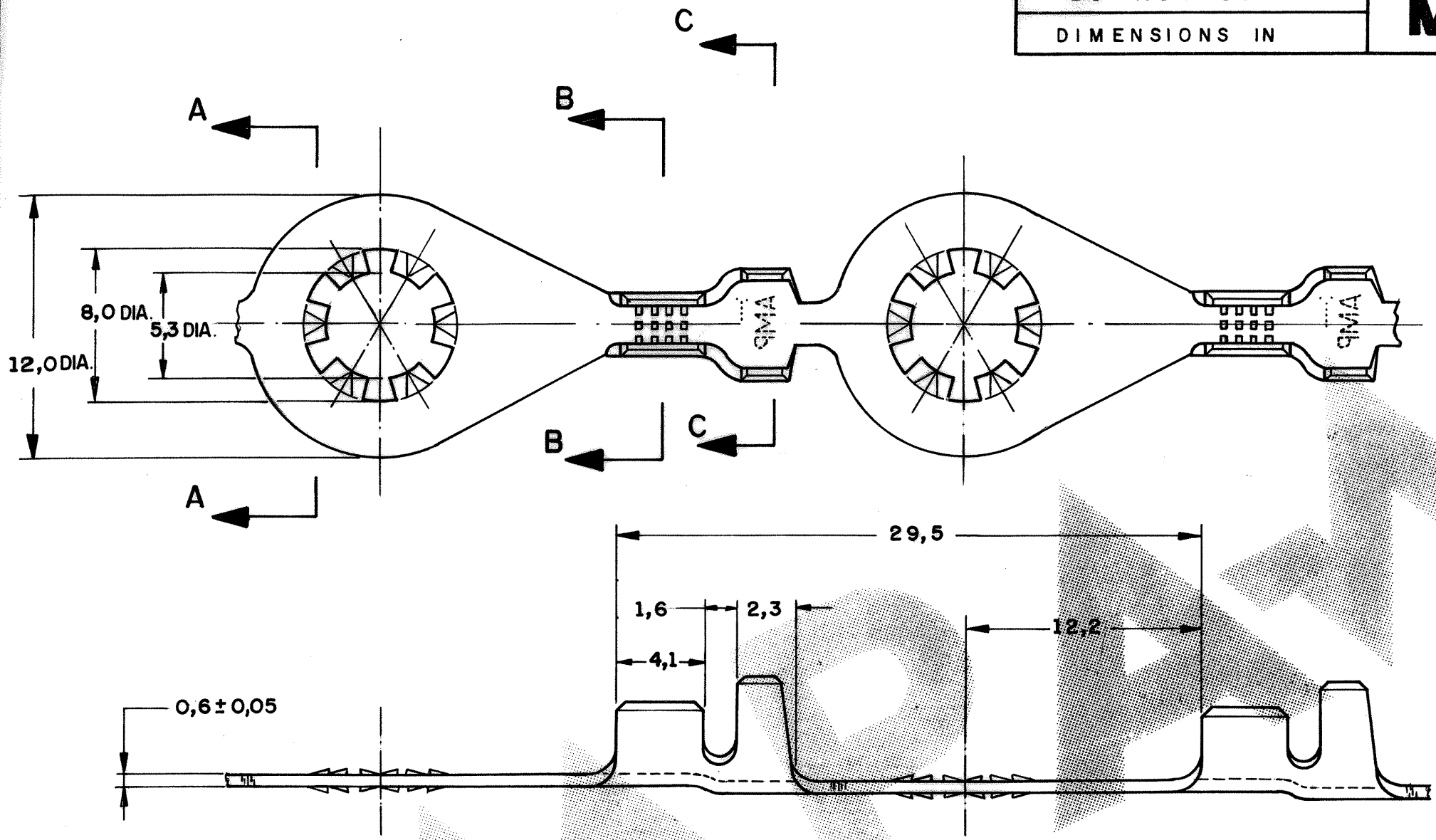
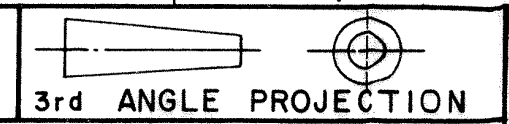


C444026 1 of 1

DO NOT SCALE
DIMENSIONS IN

METRIC



	ESTANHADO	BRONZE FOSF.	- 4
	— / —	BRONZE FOSF.	- 3
	ESTANHADO	LATÃO	- 2
	— / —	LATÃO	4 4 4 0 2 6 - 1
OTHER TREATMENT	FINISH	MATERIAL	PART NUMBER
CUSTOMER DWG for REFERENCE ONLY		THIS DRAWING IS UNPUBLISHED. RELEASED FOR PUBLICATION 19	
		© COPYRIGHT 19 BY AMP DO BRASIL LTDA S.P. ALL INTERNATIONAL RIGHTS RESERVED. AMP PRODUCTS MAY BE COVERED BY U.S. AND FOREIGN PATENTS AND/OR PATENTS PENDING.	
		TOLERANCES UNLESS OTHERWISE STATED	INS. DIA. RANGE WIRE RANGE 2 SCALE
		DEC. $\pm 0,3$	2,1 - 2,9 >1,0 - 2,5mm / —
		ANGLES $\pm 1^\circ$	
		DR. 26-02-92	AMP AMP do BRASIL LTDA. São Paulo, Brasil
		DOURIVAL ALVES ROCHA	
		CHK. <i>J.R. Felício</i>	DESCRIPTION
A REV. By ECO-06-020111 H.C. H.C. 23/06/02		DE. <i>J. Guithon</i>	RING TONGUE (ANTIROTACIONAL)
O ERA P91-29230 DORI. <i>260292</i>		APP. <i>26/02/92</i>	A3 DWG NO C444026 SHEET 1 OF 1
ISS	REVISION RECORD	DR	CHK DATE