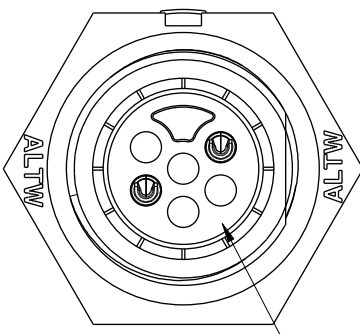
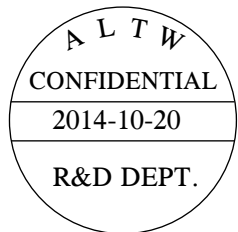
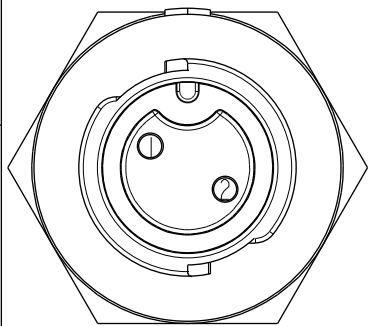
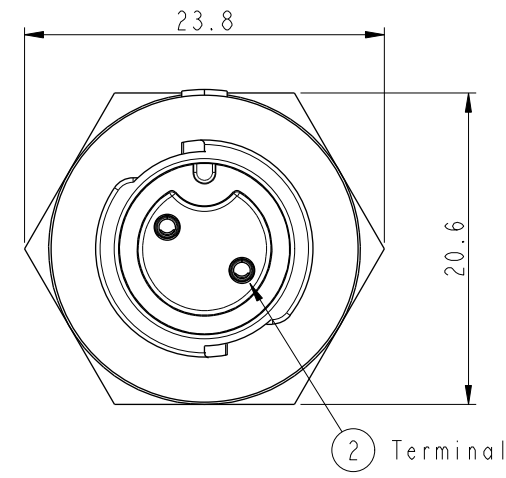
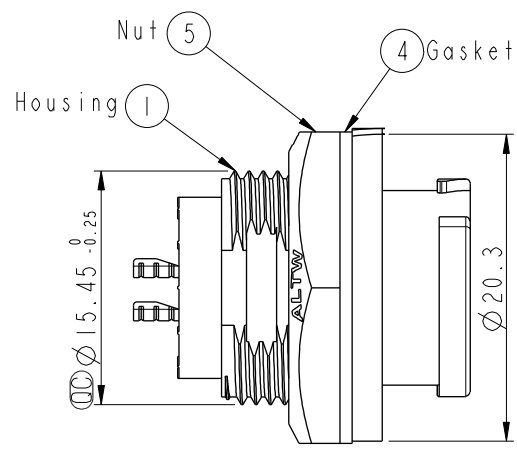


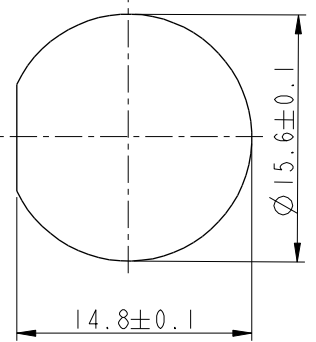
REV.	ECN NO.	DATE	SIGN	DESCRIPTION



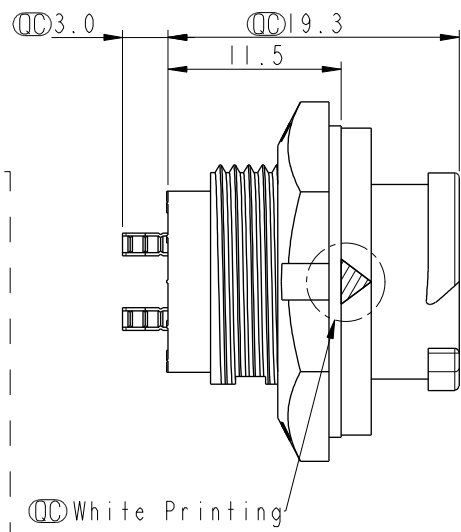
Whit Liquid Glue



Pin Assignments
Front View



Recommended Panel Cut-out



- Note:
- * (QC) Important Dimension To Check.
 - * Waterproof Rate: IP68
 - * Working Voltage Rating: AC 300 V
 - * Working Current Rating: 5A
 - * Flame Class: UL94V-0 (UV Resistance)
 - * Housing: Nylon+GF, Black
 - * Female Pin: Copper Alloy, Gold Plated
 - * Nut: Nylon+GF, Black
 - * Gasket: Silicone, Gray
 - * Panel Thickness Max: 4.5mm

UNIT:mm		
TOLERANCE .X ±0.25		

TITLE X Lok B-Size Receptacle M Conn F 2 Pin			
SCALE 2:1	SIZE A4	SHEET 1 OF 1	
REV. A	WC-REV. A.2	(QC): Inspection item	

Amphenol LTW
安費諾亮泰企業股份有限公司

ITEM NO BD-02RMFS-QC8001	DRAWN BY Micky	DATE 2014-10-20
DWG NO BD-02RMFS-QC8001	CHECKED BY Spring	DATE 2014-10-20
CUSTOMER ALTW	APPROVED BY Kevin	DATE 2014-10-20

THIS DOCUMENT IS SUBJECT TO CHANGE WITHOUT NOTICE. IT IS CONFIDENTIAL AND A PROPERTY OF AMPHENOL LTW. DISCLOSURE TO THIRD PARTY HAS TO BE AUTHORIZED BY AMPHENOL LTW.