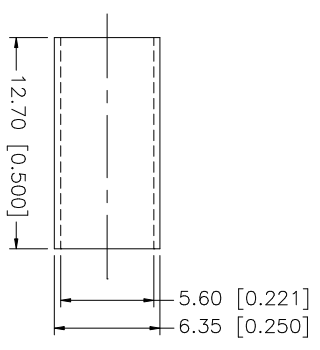
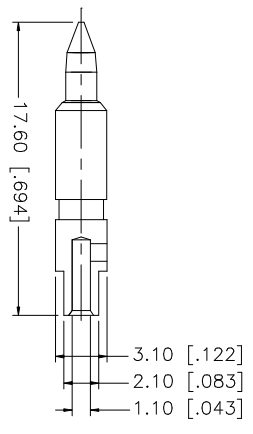
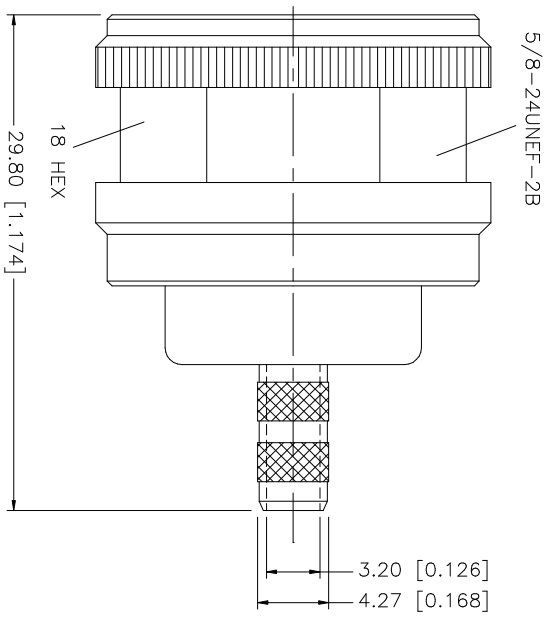
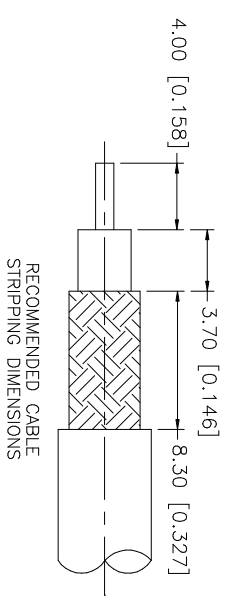


| REV. | DATE     | DESCRIPTION           |
|------|----------|-----------------------|
| A    | 05/24/04 | UPDATE DRAWING FORMAT |



CRIMP NOTES:

1. CRIMPED FERRULE  
HEX CRIMP SIZE .213"
2. CRIMPED CONTACT PIN  
HEX CRIMP SIZE .068"

| QTY | FINISH   | MATERIAL | DESCRIPTION |
|-----|----------|----------|-------------|
| 1   | NEKOCOTE | BRASS    | BARREL BODY |
| 1   | NEKOCOTE | BRASS    | BARREL      |
| 1   | NATURAL  | TEFLON   | INSULATOR   |
| 1   | RED      | SILICON  | GASKET      |
| 1   | GOLD     | BRASS    | CONTACT PIN |
| 1   | NEKOCOTE | BRASS    | FERRULE     |

|  |              |          |
|--|--------------|----------|
| UNLESS OTHERWISE SPECIFIED DIMENSIONS ARE IN INCHES AND FOR CUSTOMER REFERENCE ONLY. | APPROVALS    | DATE     |
| UNLESS OTHERWISE SPECIFIED DIMENSIONS FOR MILLIMETERS ARE:                           | DRAWN G.R.S. | 05/24/04 |
| 0.5 - 8mm ± 0.20mm   | CHECKED      |          |
| 8 - 30mm ± 0.40mm  | ISSUED       |          |
| 30 - 120mm ± 0.50mm  | SHEET 1 OF 1 |          |

|   |          |               |
|---|----------|---------------|
| UNLESS OTHERWISE SPECIFIED DIMENSIONS FOR INCHES ARE: | PART NO. | 172142-11     |
| .020 - .315 ± 0.007"                                  | DWG. NO. | 172142-11.DWG |
| .315 - 1.180 ± 0.015"                                 | REV.     | A             |
| 1.180 - 4.724 ± 0.020"                                | SIZE     | A             |
|   | SCALE    | NA            |

|                      |          |                      |
|----------------------|----------|----------------------|
| DO NOT SCALE DRAWING | CAD FILE | C:/172/172142-11.DWG |
|----------------------|----------|----------------------|

# Amphenol Connex

N CRIMP PLUG  
(FOR RG-55/U, 142A/U, 223/U, 400/U CABLE)