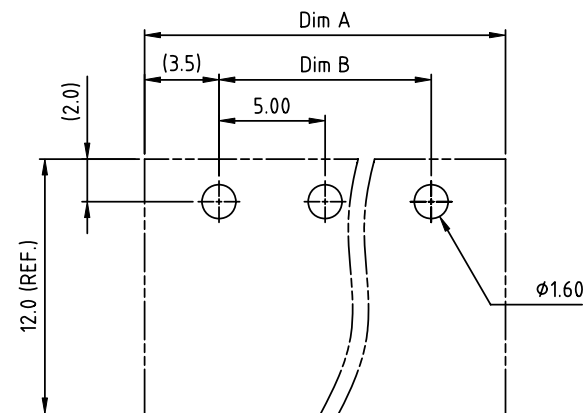
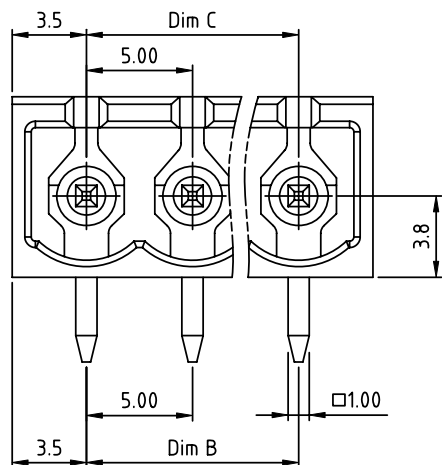
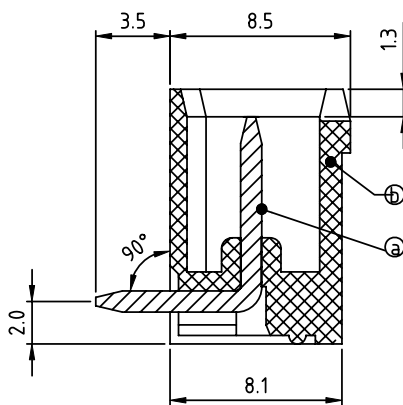
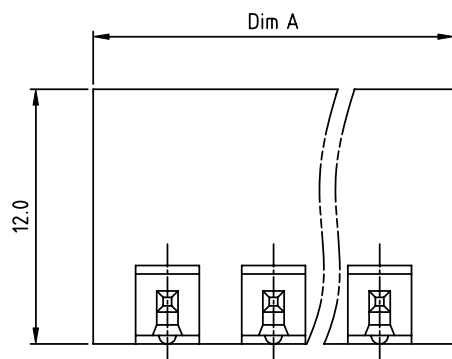




PRODUCT NUMBER	PITCH
0Qxx71x100J0G	5.00 mm



RECOMMENDED P.C.B LAYOUT
TOP VIEW



Material:

- Item ① Male contact pin: Copper Tin plated
- Item ② Terminal housing: Thermoplastic (UL94 V-0)

Electrical:

- Voltage rating: 300V/300V/300V
- Current rating: 20A/20A/20A
- Withstanding Voltage: 1.6 KV/2.5KV/2.5KV
- Operating temperature: -40°C to +115°C
- Soldering temperature: 260°C±5°C/5 Sec
- Safety Approval:



Dimension

Dim A	Nx5.0+2.0
Dim B&C	(N-1)x5.0

N = Number of poles

Poles	Dim A	Dim B&C
2-6p	±0.20	±0.15
7-12p	±0.25	±0.20
13-18p	±0.30	±0.25
19-24p	±0.35	±0.30

PART NO.: 0Q xx 7 1 x 1 00J0 G

No. of poles	0	Body Color	Black (RAL9005)	RoHS compliant	(lead<4%)
02 2 poles	2	Red (RAL3001/D)		In copper Alloy	
03 3 poles	3	Orange(RAL2011/P)			
...	4	Yellow(RAL1018/A)			
24 24 poles	5	Green(RAL6018/T)			
	6	Blue (RAL5015/A)			
	8	Grey(RAL7035/D)			
	9	White(RAL1102)			
	C	Green(RAL6018/U)			

mat'l. code		surface ASME Y14.5	tolerance ASME Y14.5	projection	product family TERMINAL BLOCK
ltr	ecn no	dr	date	tolerances unless otherwise specified	title TERMINAL BLOCK
				angles X°±1°	PLUGGABLE SOCKET,CLOSE TYPE,RIGHT ANGLE
				scale	scale
		dr	HANKE FENG	032814	dwg no
		enr	HANKE FENG	032814	sheet 1 of 1
		chr	SHI JUN	032814	size A4
		appd	SHI JUN	032814	type CUSTOMER Drawing
sheet index	revision	A			
	sheet	1			

