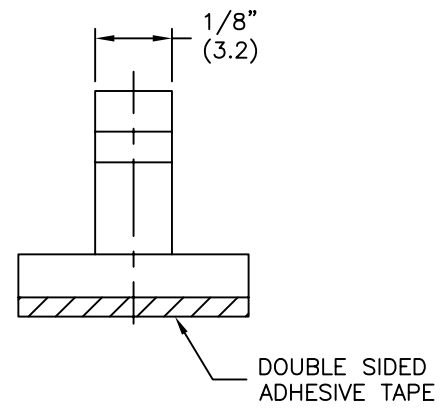
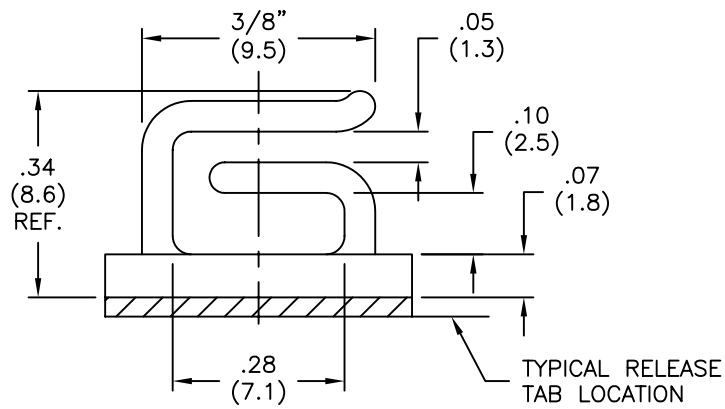
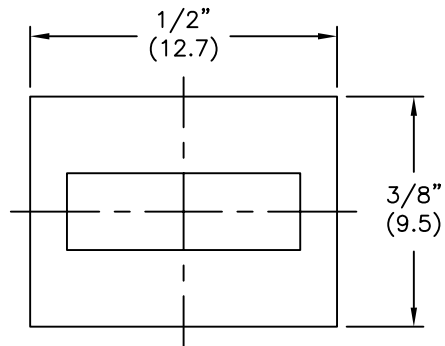





PART NO. NYLON	PART NO. FLAME RETARDANT NYLON
MOFNSB-2-01A-RT	MOFNSB-2-19A-RT



NOTES:

- MATERIAL: NYLON 66 (RMS-01)
FLAME RETARDANT NYLON (RMS-19)
COLOR: NATURAL
- TAPE: 1/32" (0.8) THICK DOUBLE SIDED
ADHESIVE (RMS-15)

REV		DESCRIPTION	ENGR	DATE	TITLE: MINI OPTICAL FIBER NETWORK SADDLE ON BASE			  DWG IN IN (MM)	
TOLERANCES UNLESS NOTED .XX=±.010 .XXX=±.005 FRAC=±1/64 ANG=±1°		FILE # MOFNSB-2	DWN: S.M.	APP:	FINAL				
MAT'L: SEE NOTES		DT: 01/19/01	DT:	PART #			PRINT TYPE		
RE: RICHCO, INC.		RICHCO INC. PO BOX 804238, CHICAGO, 60680 (773) 539-4060			SEE CHART			CA	